

# PINZE DIN 6499

VULCANIZZATE A TENUTA DEL REFRIGERANTE

## COLLETS DIN 6499

RUBBER SEALED COLLETS



### STANDARD PRECISION

Precisione di rotazione  
Concentricity specifications

0.008

## CARATTERISTICHE / SPECIFICATION / CARACTÉRISTIQUES/ TECHNISCHE DATEN

### CARATTERISTICHE TECNICHE

- Il grado di concentricità delle pinze ERG A TENUTA DEL REFRIGERANTE è contenuto in 0,008 mm.
- Sono costruite in acciaio per molle.
- Vengono rettificate sia esternamente che internamente; dopo questa lavorazione, viene eseguita una fase di superfinitura che garantisce un grado di rugosità inferiore a Rz 2,5.
- La vulcanizzazione del taglio canalizza il refrigerante all'interno dell'utensile.
- Massima pressione 40 Bar

### CARACTÉRISTIQUES

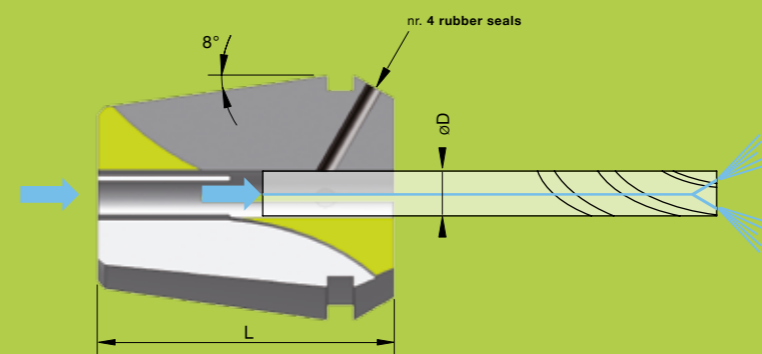
- Le degré de concentration des ERG PINCES ETANCHE est contenu en 0,008 mm.
- Elles sont fabriquées en acier pour ressorts.
- Elles sont rectifiées aussi bien extérieurement qu'à l'intérieur, après cela, une phase de superfinition est effectuée, garantissant un degré de rugosité inférieur à Rz 2,5.
- La vulcanisation du passage canalise le réfrigérant à l'intérieur de l'outil.
- Pression maximale 40 bar

### TECHNICAL FEATURES

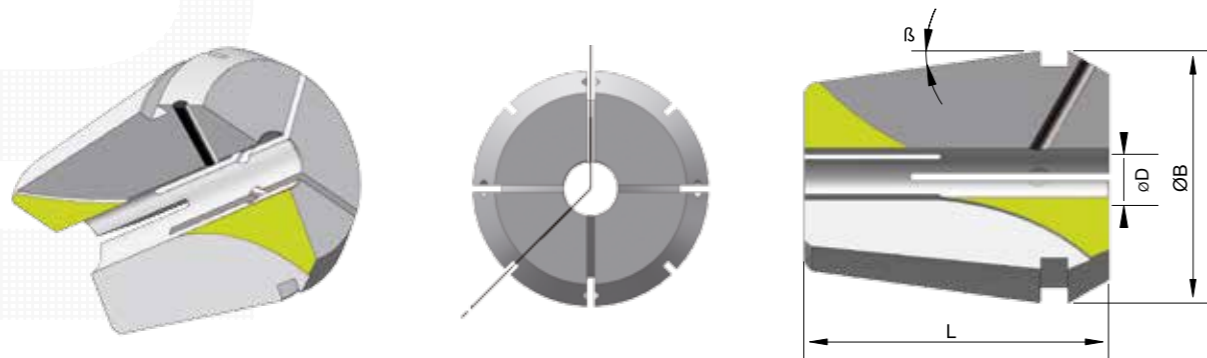
- Concentricity of ERG RUBBER SEALED COLLETS is contained in 0,008 mm.
- Built in spring steel
- Grounded both externally and internally; after this operation there is an additional phase of finishing, which guarantees a grade of roughness lower than Rz 2,5.
- Vulcanization canalizes the cooling system inside the tool.
- Max pressure 40 Bar

### TECHNISCHE DATEN

- Die Rundlaufgenauigkeit der ERG SPANNZANGEN MIT ABDICHTUNG ist in 0,008 mm eingeschränkt
- Sie sind aus Federstahl gemacht.
- Sie werden sowohl innen als auch außen geschliffen; nach dieser Verarbeitung wird eine Superfeinbearbeitung durchgeführt, die einen Rauheitsgrad versichert, der niedriger als Rz 2,5 ist.
- Die Vulkanisation kanalisiert das Kühlmittel in dem Werkzeug.
- Maximaler Druck 40 bar



TIPO/TYPE	ØD	STEP	L
ER 11G	3 ÷ 7	0.5	18
ER 16G	3 ÷ 10	0.5	27.5
ER 20G	3 ÷ 13	0.5	31.5
ER 25G	3 ÷ 16	0.5	34
ER 32G	3 ÷ 20	0.5	40
ER 40G	3 ÷ 26	0.5 ÷ 1	46
ER 50G	10 ÷ 34	0.5 ÷ 1	60



### ER 11G - RUBBER SEALED COLLETS

0.008  STANDARD PRECISION

Cod.	Ø D	Ø B	L	β	Cod.	Ø D	Ø B	L	β
ERX.G.11.3	3	11,5	18	8°	ERX.G.11.5.5	5,5	11,5	18	8°
ERX.G.11.3.5	3,5	11,5	18	8°	ERX.G.11.6	6	11,5	18	8°
ERX.G.11.4	4	11,5	18	8°	ERX.G.11.6.5	6,5	11,5	18	8°
ERX.G.11.4.5	4,5	11,5	18	8°	ERX.G.11.7	7	11,5	18	8°
ERX.G.11.5	5	11,5	18	8°					

### ER 16G - RUBBER SEALED COLLETS

0.008  STANDARD PRECISION

Cod.	Ø D	Ø B	L	β	Cod.	Ø D	Ø B	L	β
ERX.G.16.3	3	17	27,5	8°	ERX.G.16.7	7	17	27,5	8°
ERX.G.16.4	4	17	27,5	8°	ERX.G.16.8	8	17	27,5	8°
ERX.G.16.5	5	17	27,5	8°	ERX.G.16.9	9	17	27,5	8°
ERX.G.16.6	6	17	27,5	8°	ERX.G.16.10	10	17	27,5	8°



### ER 16G - RUBBER SEALED COLLETS - KIT

0.008  STANDARD PRECISION

Cod.	Nr. pieces	ØD
B-ERXG16-8	8	3 - 4 - 5 - 6 - 7 - 8 - 9 - 10

### ER 20G - RUBBER SEALED COLLETS

0.008  STANDARD PRECISION

Cod.	Ø D	Ø B	L	β	Cod.	Ø D	Ø B	L	β
ERX.G.20.3	3	21	31,5	8°	ERX.G.20.9	9	21	31,5	8°
ERX.G.20.4	4	21	31,5	8°	ERX.G.20.10	10	21	31,5	8°
ERX.G.20.5	5	21	31,5	8°	ERX.G.20.11	11	21	31,5	8°
ERX.G.20.6	6	21	31,5	8°	ERX.G.20.12	12	21	31,5	8°
ERX.G.20.7	7	21	31,5	8°	ERX.G.20.13	13	21	31,5	8°
ERX.G.20.8	8	21	31,5	8°					



### ER 20G - RUBBER SEALED COLLETS - KIT

0.008  STANDARD PRECISION

Cod.	Nr. pieces	ØD
B-ERXG20-11	11	3 - 4 - 5 - 6 - 7 - 8 - 9 - 10 - 11 - 12 - 13

### ER 25G - RUBBER SEALED COLLETS

0.008  STANDARD PRECISION

Cod.	Ø D	Ø B	L	β	Cod.	Ø D	Ø B	L	β
ERX.G.25.3	3	26	34	8°	ERX.G.25.10	10	26	34	8°
ERX.G.25.4	4	26	34	8°	ERX.G.25.11	11	26	34	8°
ERX.G.25.5	5	26	34	8°	ERX.G.25.12	12	26	34	8°
ERX.G.25.6	6	26	34	8°	ERX.G.25.13	13	26	34	8°
ERX.G.25.7	7	26	34	8°	ERX.G.25.14	14	26	34	8°
ERX.G.25.8	8	26	34	8°	ERX.G.25.15	15	26	34	8°
ERX.G.25.9	9	26	34	8°	ERX.G.25.16	16	26	34	8°



### ER 25G - RUBBER SEALED COLLETS - KIT

0.008  STANDARD PRECISION

Cod.	Nr. pieces	ØD
R-ERXG25-14	14	3 - 4 - 5 - 6 - 7 - 8 - 9 - 10 - 11 - 12 - 13 - 14 - 15 - 16

## ER 32G - RUBBER SEALED COLLETS

					0.008 <input checked="" type="checkbox"/> STANDARD PRECISION				
Cod.	Ø D	Ø B	L	β	Cod.	Ø D	Ø B	L	β
ERX.G.32.3	3	33	40	8°	ERX.G.32.12	12	33	40	8°
ERX.G.32.4	4	33	40	8°	ERX.G.32.13	13	33	40	8°
ERX.G.32.5	5	33	40	8°	ERX.G.32.14	14	33	40	8°
ERX.G.32.6	6	33	40	8°	ERX.G.32.15	15	33	40	8°
ERX.G.32.7	7	33	40	8°	ERX.G.32.16	16	33	40	8°
ERX.G.32.8	8	33	40	8°	ERX.G.32.17	17	33	40	8°
ERX.G.32.9	9	33	40	8°	ERX.G.32.18	18	33	40	8°
ERX.G.32.10	10	33	40	8°	ERX.G.32.19	19	33	40	8°
ERX.G.32.11	11	33	40	8°	ERX.G.32.20	20	33	40	8°



## ER 32G - RUBBER SEALED COLLETS - KIT

			0.008 <input checked="" type="checkbox"/> STANDARD PRECISION		
Cod.	Nr. pieces	Ø D			
R-ERXG32-18	18	3 - 4 - 5 - 6 - 7 - 8 - 9 - 10 - 11 - 12 - 13 - 14 - 15 - 16 - 17 - 18 - 19 - 20			

## ER 40G - RUBBER SEALED COLLETS

					0.008 <input checked="" type="checkbox"/> STANDARD PRECISION				
Cod.	Ø D	Ø B	L	β	Cod.	Ø D	Ø B	L	β
ERX.G.40.3	3	41	46	8°	ERX.G.40.15	15	41	46	8°
ERX.G.40.4	4	41	46	8°	ERX.G.40.16	16	41	46	8°
ERX.G.40.5	5	41	46	8°	ERX.G.40.17	17	41	46	8°
ERX.G.40.6	6	41	46	8°	ERX.G.40.18	18	41	46	8°
ERX.G.40.7	7	41	46	8°	ERX.G.40.19	19	41	46	8°
ERX.G.40.8	8	41	46	8°	ERX.G.40.20	20	41	46	8°
ERX.G.40.9	9	41	46	8°	ERX.G.40.21	21	41	46	8°
ERX.G.40.10	10	41	46	8°	ERX.G.40.22	22	41	46	8°
ERX.G.40.11	11	41	46	8°	ERX.G.40.23	23	41	46	8°
ERX.G.40.12	12	41	46	8°	ERX.G.40.24	24	41	46	8°
ERX.G.40.13	13	41	46	8°	ERX.G.40.25	25	41	46	8°
ERX.G.40.14	14	41	46	8°	ERX.G.40.26	26	41	46	8°



## ER 40G - RUBBER SEALED COLLETS - KIT

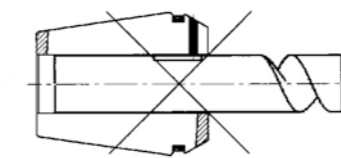
			0.008 <input checked="" type="checkbox"/> STANDARD PRECISION		
Cod.	Nr. pieces	Ø D			
R-ERXG40-23	23	4 - 5 - 6 - 7 - 8 - 9 - 10 - 11 - 12 - 13 - 14 - 15 - 16 - 17 - 18 - 19 - 20 - 21 - 22 - 23 - 24 - 25 - 26			

## ER 50G - RUBBER SEALED COLLETS

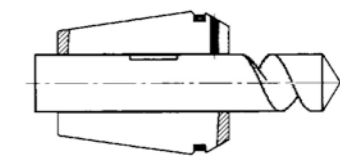
					0.008 <input checked="" type="checkbox"/> STANDARD PRECISION				
Cod.	Ø D	Ø B	L	β	Cod.	Ø D	Ø B	L	β
ERX.G.50.10	10	52	60	8°	ERX.G.50.24	24	52	60	8°
ERX.G.50.12	12	52	60	8°	ERX.G.50.26	26	52	60	8°
ERX.G.50.14	14	52	60	8°	ERX.G.50.28	28	52	60	8°
ERX.G.50.16	16	52	60	8°	ERX.G.50.30	30	52	60	8°
ERX.G.50.18	18	52	60	8°	ERX.G.50.32	32	52	60	8°
ERX.G.50.20	20	52	60	8°	ERX.G.50.34	34	52	60	8°
ERX.G.50.22	22	52	60	8°					

ISTRUZIONI PER IL CORRETTO UTILIZZO

INSTRUCTION FOR AN CORRECT USE



Incorrect position!



Correct position!

## ER 16G - INCH

0.008  STANDARD PRECISION

Cod.	Ø D	L	β	Cod.	Ø D	L	β
ERX.G.16.1/8	1/8-3,17	27,5	8°	ERX.G.16.15/64	15/64-5,95	27,5	8°
ERX.G.16.9/64	9/64-3,57	27,5	8°	ERX.G.16.1/4	1/4-6,35	27,5	8°
ERX.G.16.5/32	5/32-3,96	27,5	8°	ERX.G.16.9/32	9/32-7,14	27,5	8°
ERX.G.16.11/64	11/64-4,35	27,5	8°	ERX.G.16.5/16	5/16-7,93	27,5	8°
ERX.G.16.3/16	3/16-4,76	27,5	8°	ERX.G.16.11/32	11/32-8,73	27,5	8°
ERX.G.16.13/64	13/64-5,15	27,5	8°	ERX.G.16.3/8	3/8-9,52	27,5	8°
ERX.G.16.7/32	7/32-5,55	27,5	8°	ERX.G.16.13/32	13/32-10,31	27,5	8°

## ER 20G - INCH

0.008  STANDARD PRECISION

Cod.	Ø D	L	β	Cod.	Ø D	L	β
ERX.G.20.1/8	1/8-3,17	31,5	8°	ERX.G.20.9/32	9/32-7,14	31,5	8°
ERX.G.20.5/32	5/32-3,96	31,5	8°	ERX.G.20.5/16	5/16-7,93	31,5	8°
ERX.G.20.11/64	11/64-4,36	31,5	8°	ERX.G.20.11/32	11/32-8,73	31,5	8°
ERX.G.20.3/16	3/16-4,76	31,5	8°	ERX.G.20.3/8	3/8-9,52	31,5	8°
ERX.G.20.13/64	13/64-5,15	31,5	8°	ERX.G.20.13/32	13/32-10,31	31,5	8°
ERX.G.20.7/32	7/32-5,55	31,5	8°	ERX.G.20.7/16	7/16-11,11	31,5	8°
ERX.G.20.15/64	15/64-5,95	31,5	8°	ERX.G.20.15/32	15/32-11,90	31,5	8°
ERX.G.20.1/4	1/4-6,35	31,5	8°	ERX.G.20.1/2	1/2-12,7	31,5	8°

## ER 25G - INCH

0.008  STANDARD PRECISION

Cod.	Ø D	L	β	Cod.	Ø D	L	β
ERX.G.25.1/4	1/4-5,35	34	8°	ERX.G.25.15/32	15/32-11,90	34	8°
ERX.G.25.9/32	9/32-7,14	34	8°	ERX.G.25.1/2	1/2-12,7	34	8°
ERX.G.25.5/16	5/16-7,93	34	8°	ERX.G.25.17/32	17/32-13,49	34	8°
ERX.G.25.11/32	11/32-8,73	34	8°	ERX.G.25.9/16	9/16-14,28	34	8°
ERX.G.25.3/8	3/8-9,52	34	8°	ERX.G.25.19/32	19/32-15,08	34	8°
ERX.G.25.13/32	13/32-10,31	34	8°	ERX.G.25.5/8	5/8-15,87	34	8°
ERX.G.25.7/16	7/16-11,11	34	8°				

## ER 32G - INCH

0.008  STANDARD PRECISION

Cod.	Ø D	L	β	Cod.	Ø D	L	β
ERX.G.32.1/4	1/4-6,35	40	8°	ERX.G.32.17/32	17/32-13,49	40	8°
ERX.G.32.9/32	9/32-7,14	40	8°	ERX.G.32.9/16	9/16-14,28	40	8°
ERX.G.32.5/16	5/16-7,93	40	8°	ERX.G.32.19/32	19/32-15,08	40	8°
ERX.G.32.11/32	11/32-8,73	40	8°	ERX.G.32.5/8	5/8-15,87	40	8°
ERX.G.32.3/8	3/8-9,52	40	8°	ERX.G.32.21/32	21/32-16,66	40	8°
ERX.G.32.13/32	13/32-10,31	40	8°	ERX.G.32.11/16	11/16-17,45	40	8°
ERX.G.32.7/16	7/16-11,11	40	8°	ERX.G.32.23/32	23/32-18,25	40	8°
ERX.G.32.15/32	15/32-11,90	40	8°	ERX.G.32.3/4	3/4-19,05	40	8°
ERX.G.32.1/2	1/2-12,7	40	8°				

## ER 40G - INCH

0.008  STANDARD PRECISION

Cod.	Ø D	L	β	Cod.	Ø D	L	β
ERX.G.40.1/8	1/8-3,17	46	8°	ERX.G.40.19/32	19/32-15,08	46	8°
ERX.G.40.5/32	5/32-3,96	46	8°	ERX.G.40.5/8	5/8-15,87	46	8°
ERX.G.40.3/16	3/16-4,76	46	8°	ERX.G.40.21/32	21/32-16,66	46	8°
ERX.G.40.7/32	7/32-5,55	46	8°	ERX.G.40.11/16	11/16-17,46	46	8°
ERX.G.40.1/4	1/4-6,35	46	8°	ERX.G.40.23/32	23/32-18,25	46	8°
ERX.G.40.9/32	9/32-7,14	46	8°	ERX.G.40.3/4	3/4-19,05	46	8°
ERX.G.40.5/16	5/16-7,93	46	8°	ERX.G.40.25/32	25/32-19,84	46	8°
ERX.G.40.11/32	11/32-8,73	46	8°	ERX.G.40.13/16	13/16-20,63	46	8°
ERX.G.40.3/8	3/8-9,52	46	8°	ERX.G.40.27/32	27/32-21,43	46	8°
ERX.G.40.13/32	13/32-10,31	46	8°	ERX.G.40.7/8	7/8-22,22	46	8°
ERX.G.40.7/16	7/16-11,11	46	8°	ERX.G.40.29/32	29/32-23,01	46	8°
ERX.G.40.15/32	15/32-11,90	46	8°	ERX.G.40.15/16	15/16-23,81	46	8°
ERX.G.40.1/2	1/2-12,7	46	8°	ERX.G.40.31/32	31/32-24,60	46	8°
ERX.G.40.17/32	17/32-13,49	46	8°	ERX.G.40.1"	1"-25,4	46	8°
ERX.G.40.9/16	9/16-14,28	46	8°				